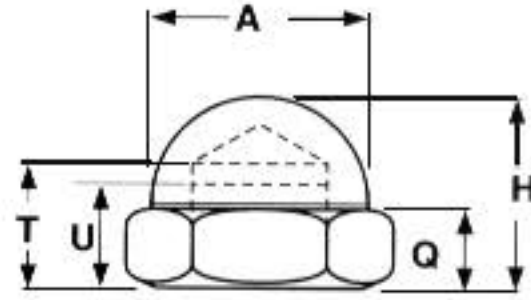
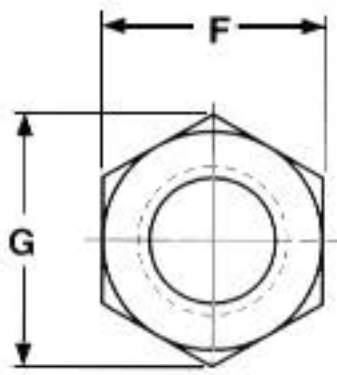


Acorn (Cap) Nuts

Low Crown -- Steel & Stainless

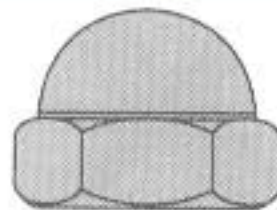


One Piece Hex Cap Nuts, Low Crown

Nominal Size	Basic Major Diameter of Thread	F		G		A	H	G	T	U
		Width Across Flats		Width Across Corners						
		Max	Min	Max	Min					
6	.1380	.3125	.302	.361	.344	.30	.34	.16	.25	.16
8	.1640	.3125	.302	.361	.344	.30	.34	.16	.25	.16
10	.1900	.3750	.362	.433	.413	.36	.41	.19	.28	.19
1/4	.2500	.4375	.428	.505	.488	.41	.47	.22	.34	.25
5/16	.3125	.5000	.489	.577	.557	.47	.53	.25	.41	.31
3/8	.3750	.5625	.551	.650	.628	.53	.62	.28	.45	.38
1/2	.5000	.7500	.736	.866	.840	.72	.81	.38	.59	.50
5/8	.6250	.9375	.922	1.083	1.051	.91	1.00	.47	.75	.62
3/4	.7500	1.0625	1.045	1.227	1.191	1.03	1.16	.53	.88	.75

Two Piece Hex Cap Nuts

Nominal Size	Basic Major Diameter of Thread	F		G		H	
		Width Across Flats		Width Across Corners		Overall Height	
		Max	Min	Max	Min	Max	Min
4	.1120	.248	.225	-	-	.200	.177
6	.1380	.3125	.302	.361	.344	.260	.240
8	.1640	.3125	.302	.361	.344	.260	.240
10	.1900	.3750	.362	.433	.413	.291	.271
1/4	.2500	.4375	.423	.505	.482	.338	.318
5/16	.3125	.562	.545	.650	.621	.385	.365
3/8	.3750	.625	.607	.722	.692	.432	.412
1/2	.5000	.750	.736	.866	.840	.572	.552
5/8	.6250	.938	.909	1.083	1.037	.807	.787
3/4	.7500	1.12	1.08	-	-	1.12	1.08



Description	<p>Steel: The low-crown cap nut is usually manufactured in two pieces, a hex nut and an acorn-shaped top, zinc die cast to form the finished part.</p> <p>Stainless: Similar in design to the steel nut but made from an austenitic stainless alloy. Nuts maybe one or two piece style.</p>
Applications/ Advantages	Cap nuts serve two main purposes: 1) as decorative pieces, and 2) as covers for projecting threads.
Material	<p>Steel: Nuts shall be made from a low-carbon steel which conforms to the following chemical composition requirements: <i>Carbon: 0.47% Max; Phosphorus: 0.12% Max; Sulfur: 0.23% Max.</i></p> <p>Stainless: 304L or equivalent stainless.</p>
Plating	Various finishes.